

02

2850 ... T20C... T

## Field-attachable Connectors Quicklock



Quicklock plug with locking latch, IP67, size 28, straight version, with plastic housing and screw clamps (8-pole version with solder terminals)

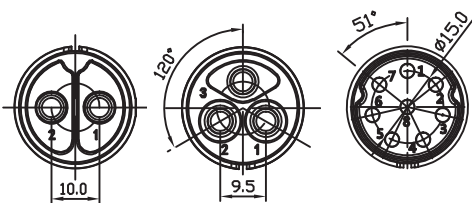
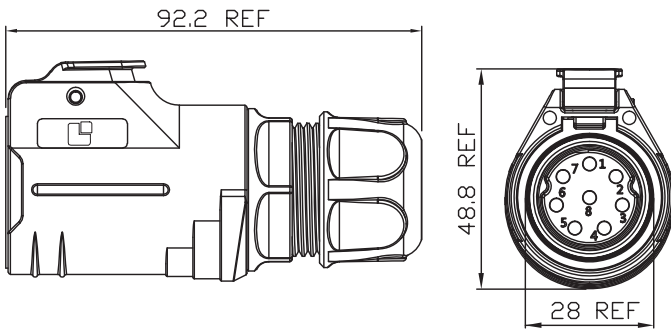
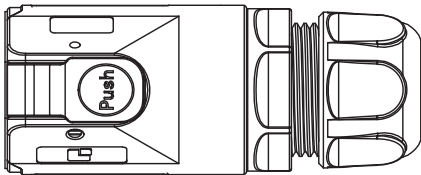
---

Approvals:  

---

02

2850 ... T20C... T



2850 02  
T20CR T

2850 03  
T20CR T

2850 08  
T20CB T

#### Environmental conditions

Temperature range -40 °C/+80 °C

#### Materials

Insulating body	PBT, V-0 according to UL94
Contact pin	CuZn, gold-plated
Housing	PBT, V-0 according to UL94 <sup>1</sup>
Guiding element	Zn alloy, chrome-plated
Locking	Zn-alloy, chrome-plated
Cap nut	PBT, V-0 according to UL94 <sup>1</sup>

<sup>1</sup> outdoor sustainable (F1 according to UL 746C)

#### Mechanical data

Protection class IP67<sup>1</sup>

<sup>1</sup> only in locked condition with an appropriate counterpart

#### Connectable conductors for screw clamp

Section	2.5–16.0 mm <sup>2</sup> /AWG 14–6 (2–3 poles)
Cable diameter	17.0–20.5 mm (state of delivery 2–3 poles) 10.0–15.0 mm (state of delivery 8 poles) 10.0–15.0 mm (with accessory 9928 SL15) 17.0–20.5 mm (with accessory 9928 SL20,5)

#### Connectable conductors for solder area

Section	1.5–4.0 mm <sup>2</sup> /AWG 16–12 (8 poles)
Cable diameter	10.0–15.0 mm (8 poles)

#### Electrical data (at T<sub>amb</sub> 20 °C)

Rated current	50 A (2 poles) 43 A (3 poles) 17 A (8 poles)
Rated voltage	500 V AC
Rated impulse voltage	≤ 2500 V
Creepage distance	≥ 2 mm
Clearance	≥ 2 mm
Insulation resistance	> 500 MΩ

02

2850 ... T20C... T

---

**Associated products**

Counterparts

[↗ 2820 ... TF1C...](#)

[↗ 2840 ... T20C... A](#)

Accessories

[↗ 9928 CPMF0](#)

[↗ 9928 SL15](#)

[↗ 9928 SL20,5](#)

---

02

2850 ... T20C... T

Designation	Pole Number	PU (Pieces)	MDQ (Pieces)
2850 02 T20CR T	2	2	20
2850 03 T20CR T	3	2	20
2850 08 T20CB T	8	2	20

**Packaging:**

in individual plastic bags, in a cardboard box